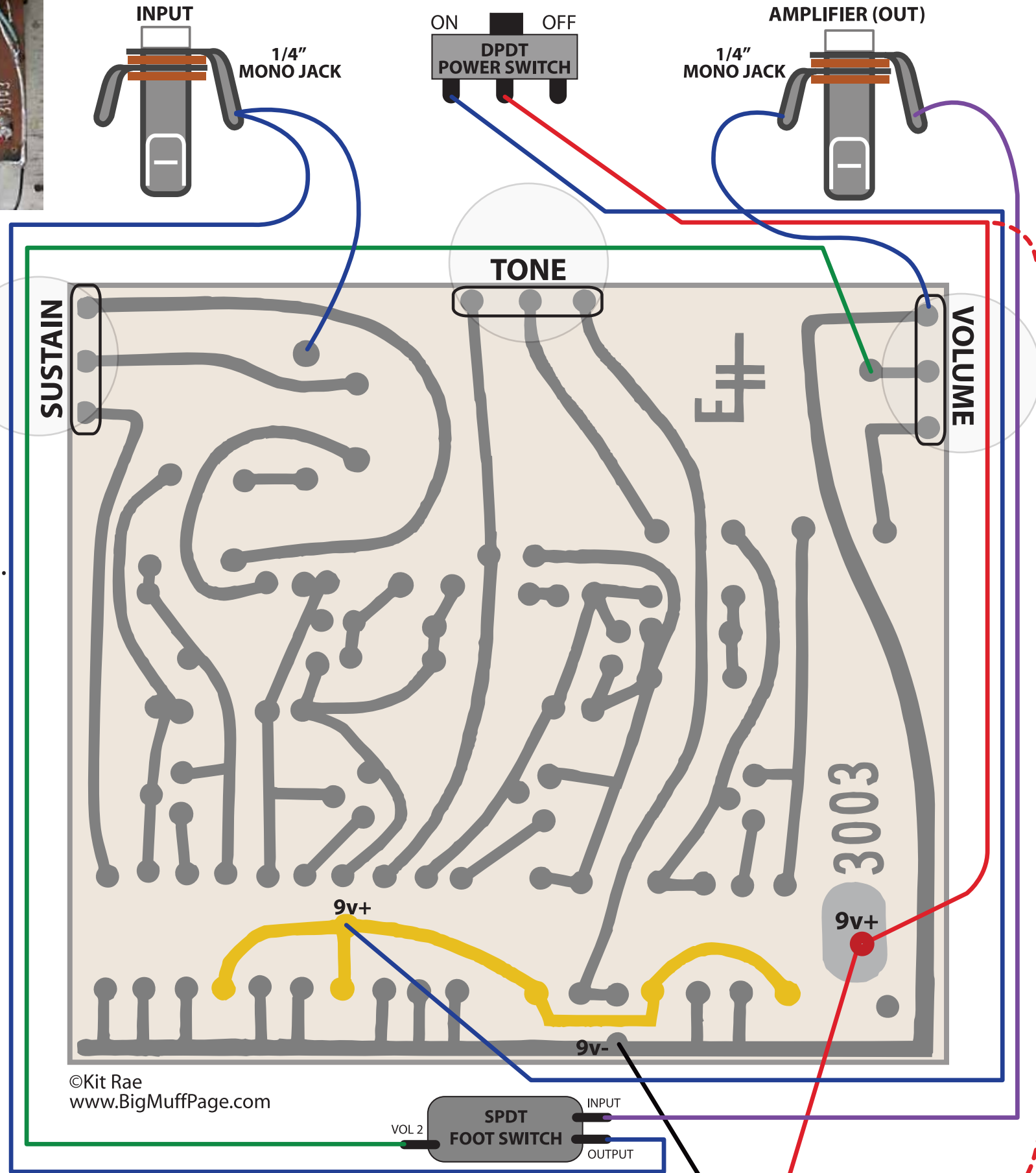
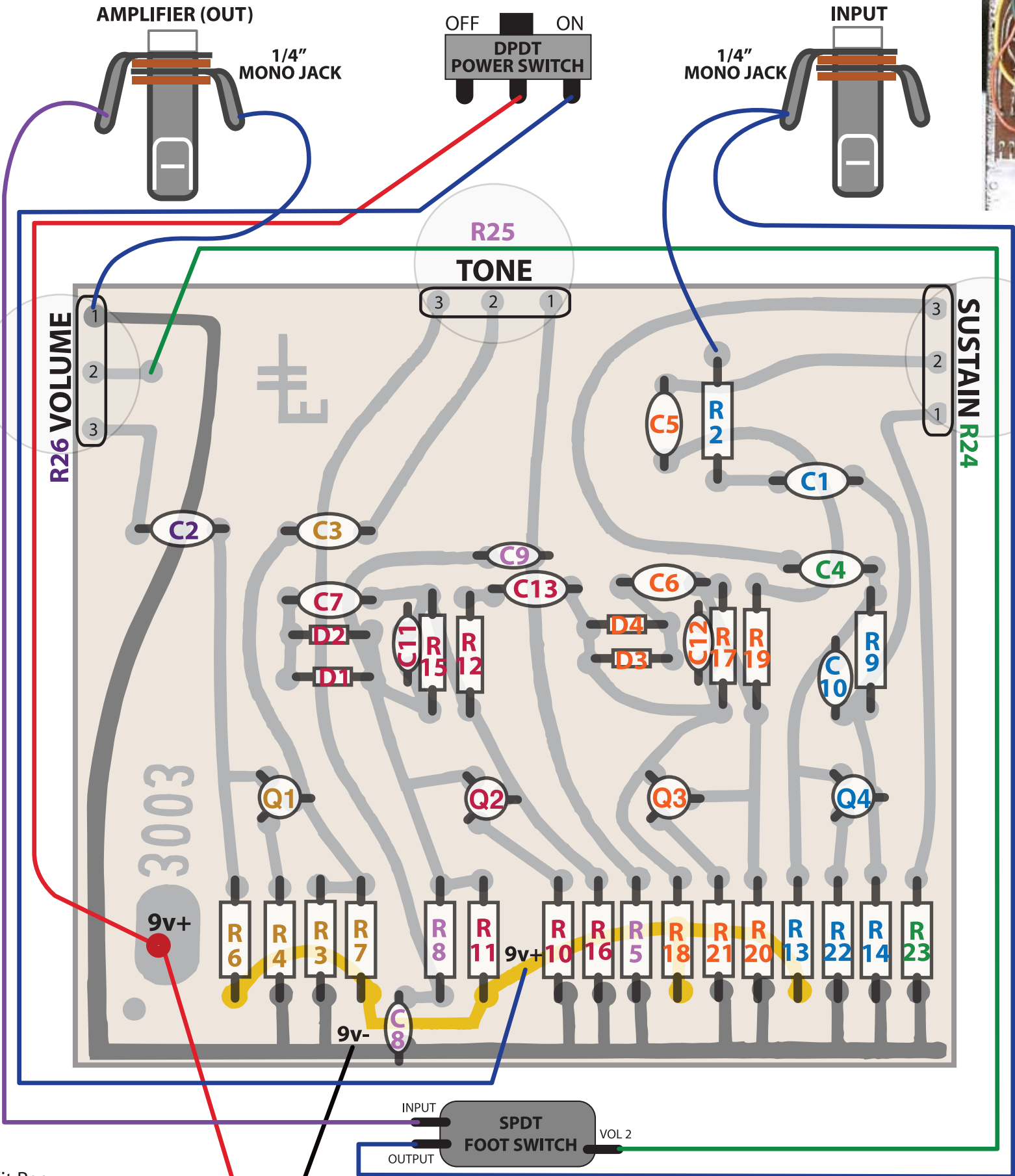


# VERSION 2 BIG MUFF PI WIRING DIAGRAM (LOOKING FROM TOP)

# VERSION 2 BIG MUFF PI WIRING DIAGRAM (LOOKING FROM UNDER LID)



100k potentiometers. Single-gang, linear taper. 24mm size, with 1/4" D shafts.

9V+ CAN ALSO RUN STRAIGHT TO CENTER SWITCH LUG

©Kit Rae  
www.BigMuffPage.com

