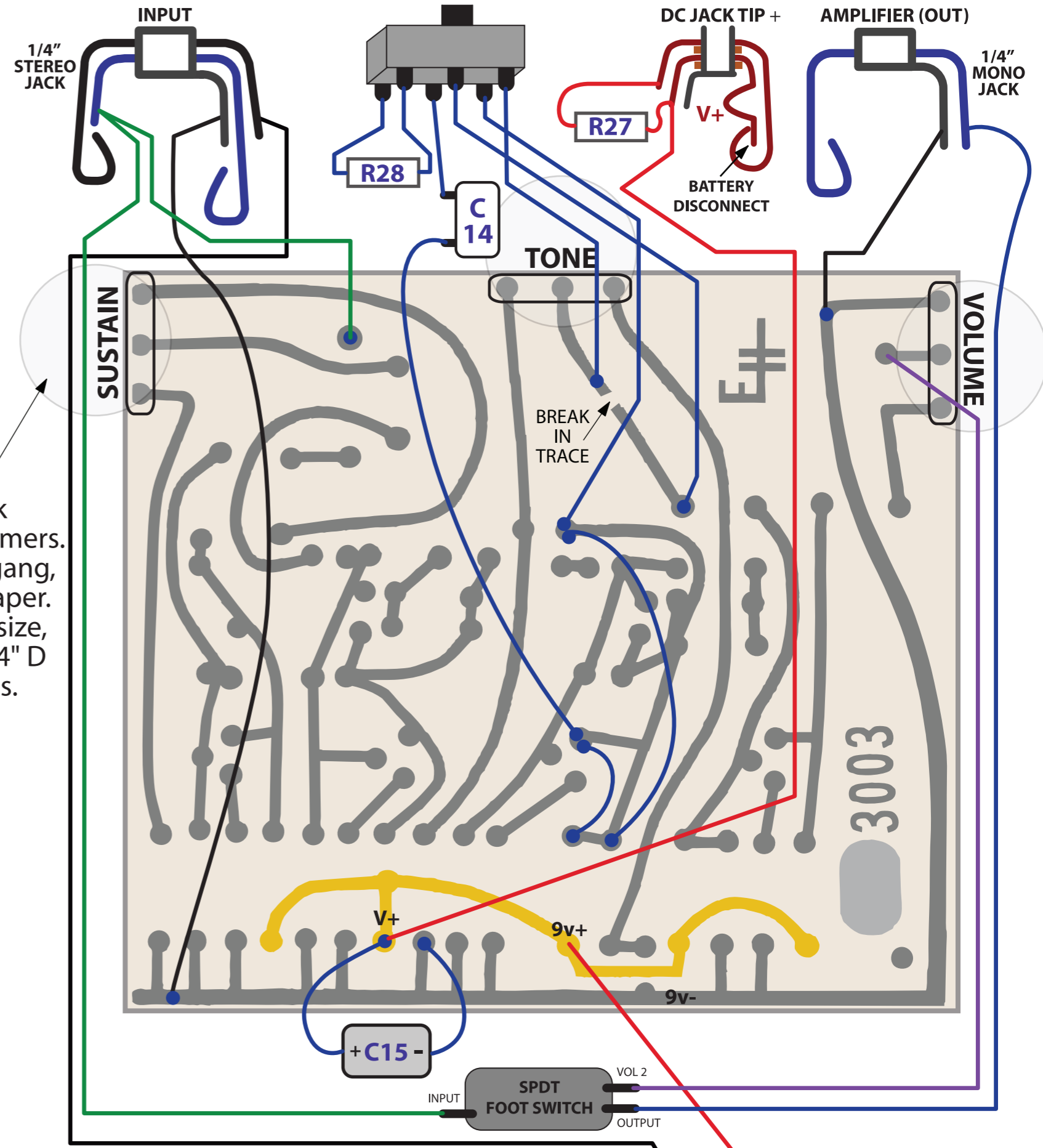
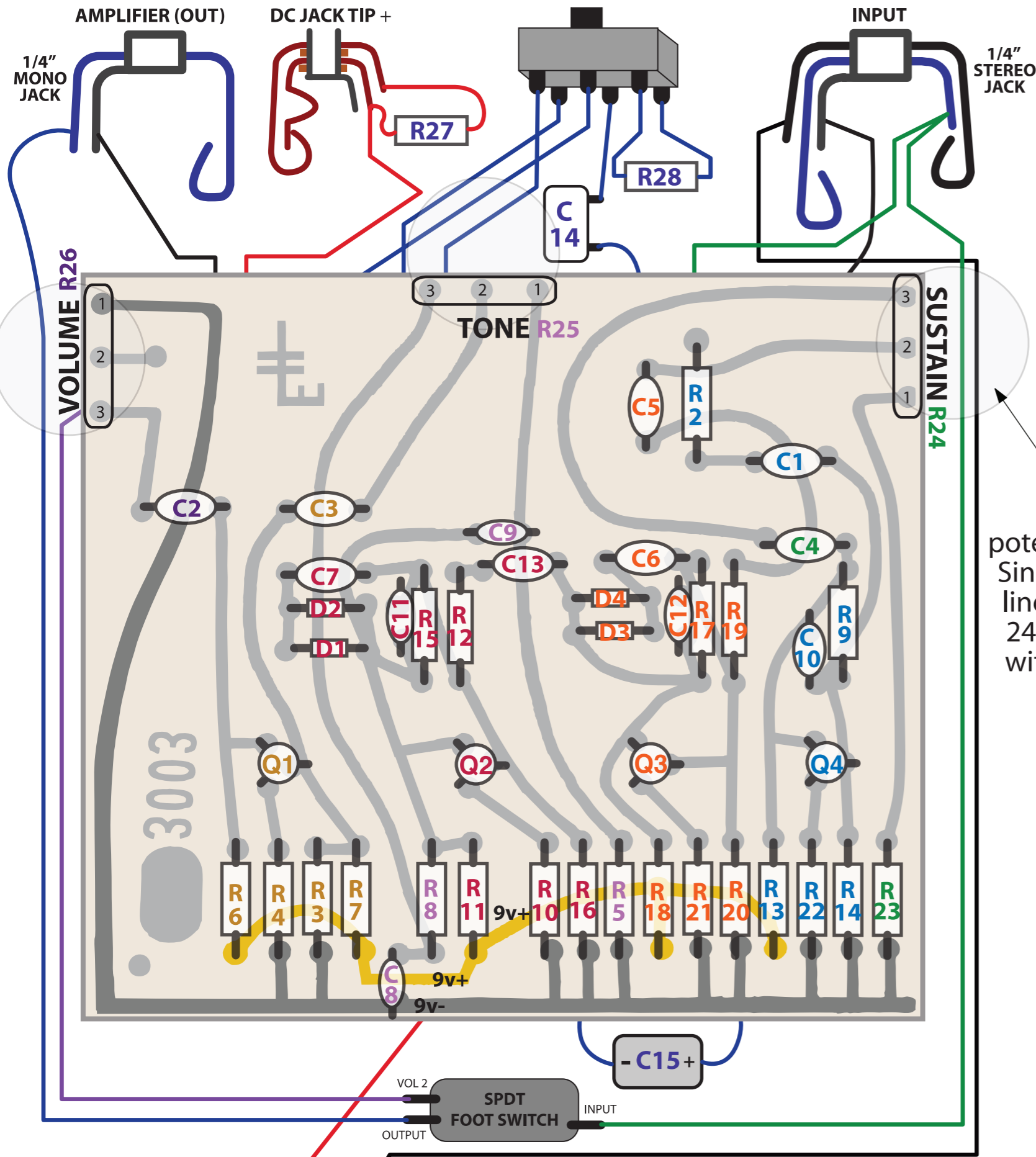


# VERSION 3 BIG MUFF PI TONE BYPASS WIRING DIAGRAM (LOOKING FROM TOP)

# VERSION 3 BIG MUFF PI TONE BYPASS WIRING DIAGRAM (LOOKING FROM UNDER LID)



100k potentiometers. Single-gang, linear taper. 24mm size, with 1/4" D shafts.



**BIG MUFF PAGE**

The definitive Big Muff resource and history

[www.BigMuffPage.com](http://www.BigMuffPage.com)